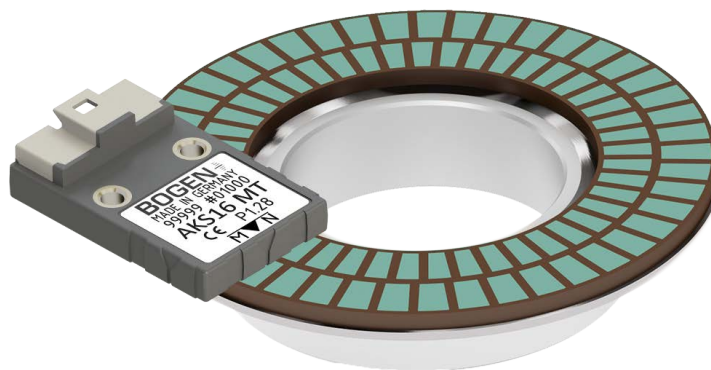


Newsletter October 2024

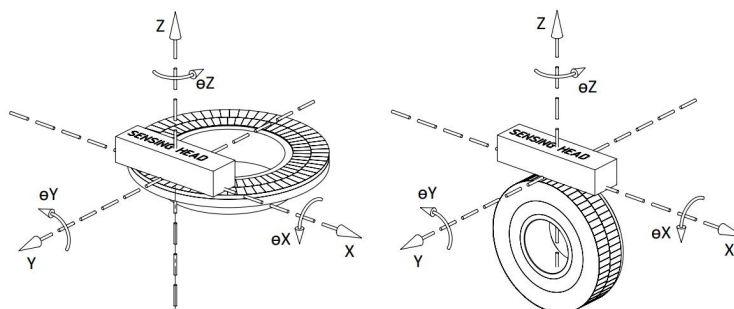
AKS16-MT Absolute Multi-Turn Magnetic Sensor

AKS16-MT is a compact, highly efficient solution designed for precise motion sensing in advanced automation systems.



It measures absolute position across multiple turns, enabling **precise tracking of movements over more than 360 degrees**, like in robot joints, with exceptional accuracy.

Its **battery-backed design** maintains position tracking even without external power, making it perfect for robotics, factory automation, handling systems, and electro-medical devices.



The **AKS16-MT** supports **rotary** motion, with flexible axial and radial configurations, enabling it to fit seamlessly into compact spaces.

It also possesses outstanding resistance to contamination, vibration, and extreme temperatures, ensuring durability and reliable performance.

Whether it's an **industrial automation task** or **precision medical equipment**, the AKS16-MT provides robust, cost-effective multi-turn absolute magnetic measurement.

Stay updated with BOGEN Magnetics GmbH for more innovations.