

IKS23

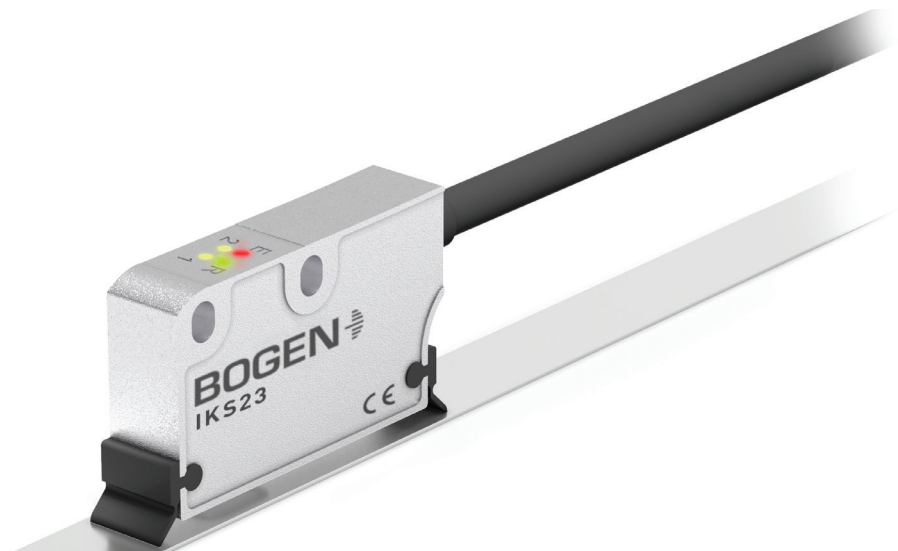
Incremental Magnetic Sensing Head

The incremental magnetic sensing head IKS23 for linear and rotary applications is highly accurate and modular. IKS23 comes in different versions, which can be configured to customer-specific requirements. In combination with our tailor-made linear and rotary scales, we offer measurement solutions for almost every application.

Incremental
Measuring

Linear
Rotary
Applications

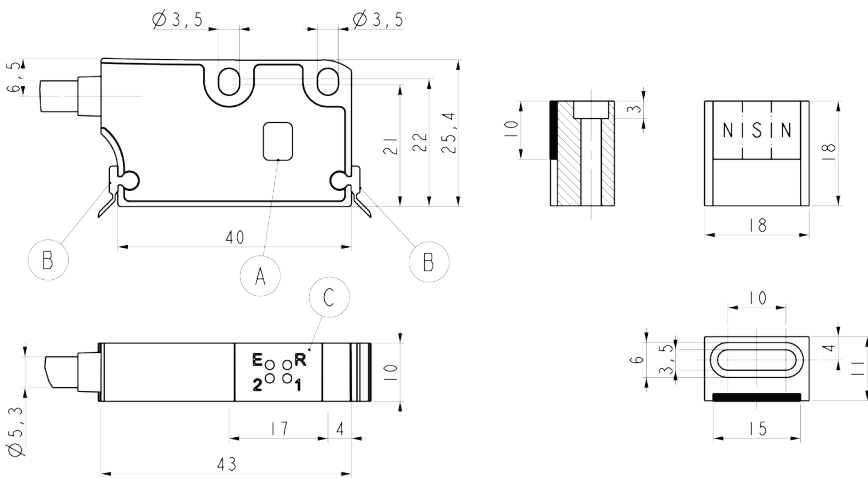
Non-contact
Quick Position
Measurement



Features and Benefits

- incremental encoder for 1-, 2- & 5-mm pole pitch
- resolution options between 0.5 μm and 50 μm
- measuring length up to 100 m / 328 ft
- IP67 protection rating
- wide mounting tolerances up to 2 mm / 0.078"

Technical Drawing



A	Reference sensor "R"
B	Dust wipers
C	Diagnostic LEDs
E	Gap/Speed error (red)
R	Reference detection (green)
1	Power ON (green)
2	Not used

Order Code

IKS23 - Z - P - V - D - R - F - T - L - C

		code	explanation	
parameters	Z	reference signal	Z0 without	
			Z1 periodic index signal from the pole pitch (every 1 mm, 2 mm, 5 mm)	
			Z2 unique reference signal (on request)	
	P	pole pitch	P1 1 mm	
			P2 2 mm	
			P5 5 mm	
	V	supply voltage	V5 + 5 Vdc \pm 5 %	
			V24 + 10 Vdc \div + 30 Vdc	
	D	interface	D1 line driver (AB, /AB)	
			D2 push-pull (AB)	
			D3 push-pull (AB, /AB)	
	R	resolution	@ 1 mm pole pitch Rx	10 = 10 μ m 5 = 5 μ m 2 = 2 μ m 1 = 1 μ m 05 = 0.5 mm
			@ 2 mm pole pitch Rx	50 = 50 μ m 10 = 10 μ m 2 = 2 μ m 1 = 1 μ m
			@ 5 mm pole pitch Rx	50 = 50 μ m 25 = 25 μ m 10 = 10 μ m 5 = 5 μ m 2 = 2 μ m 1 = 1 μ m 05 = 0.5 μ m 008 = 0.08 μ m
	F	max. output frequency	F5000 5000 kHz / 0.2 μ s (only available with P5 and D1 interface)	
			F3333 3333 kHz / 0.3 μ s (only available with D1 interface)	
			F2000 2000 kHz / 0.5 μ s	
F1000 1000 kHz / 1 μ s				
F500 500 kHz / 2 μ s				
F250 250 kHz / 4 μ s				
T	cable type	T1 hi-flex cable / drag chain quality		
L	cable length	L2 2 m		
		Lx ... m (on request)		
C	connector	C1 M12 plug (male)		
		C2 M8 plug		

BOGEN Magnetics GmbH reserves the right to make changes, without notice, in the products, including software, described or contained herein in order to improve design and/or performance. Information in this document is believed to be accurate and reliable. However, BOGEN Magnetics GmbH does not give any representations or warranties, expressed or implied, as to the accuracy or completeness of such information and shall have no liability for the consequences of use of such information. BOGEN Magnetics GmbH takes no responsibility for the content in this document if provided by an information source outside of BOGEN products. In no event shall BOGEN Magnetics GmbH be liable for any indirect, incidental, punitive, special or consequential damages (including but not limited to lost profits, lost savings, business interruption, costs related to the removal or replacement of any products or rework charges) irrespective the legal base the claims are based on, including but not limited to tort (including negligence), warranty, breach of contract, equity or any other legal theory. Notwithstanding any damages that customer might incur for any reason whatsoever, BOGEN product aggregate and cumulative liability towards customer for the products described herein shall be limited in accordance with the General Terms and Conditions of Sale of BOGEN Magnetics GmbH. Nothing in this document may be interpreted or construed as an offer to sell products that is open for acceptance or the grant, conveyance or implication of any license under any copyrights, patents or other industrial or intellectual property rights. Unless otherwise agreed upon in an individual agreement BOGEN products sold are subject to the General Terms and Conditions of Sales as published at www.bogen-magnetics.com.